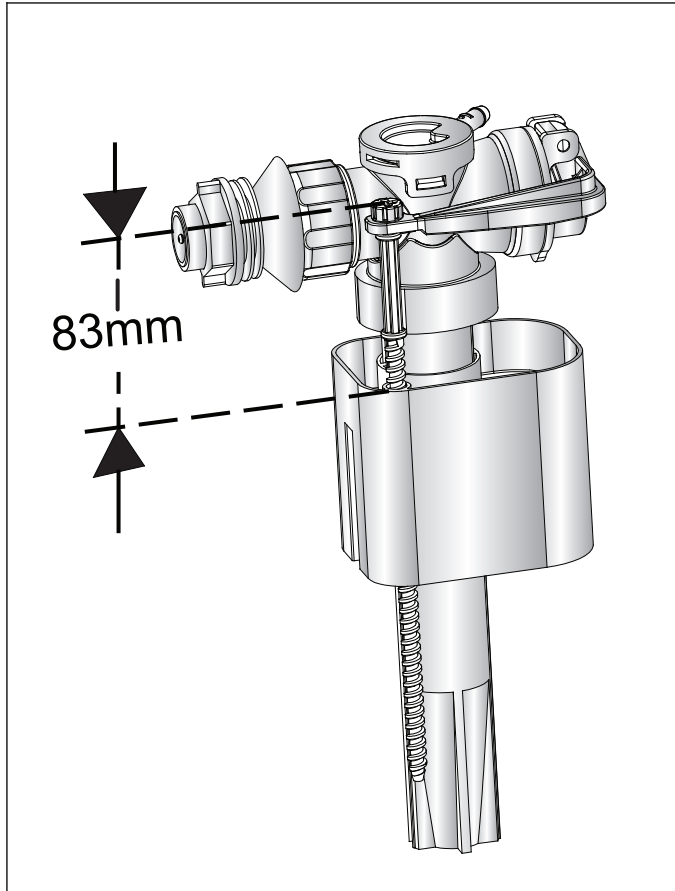


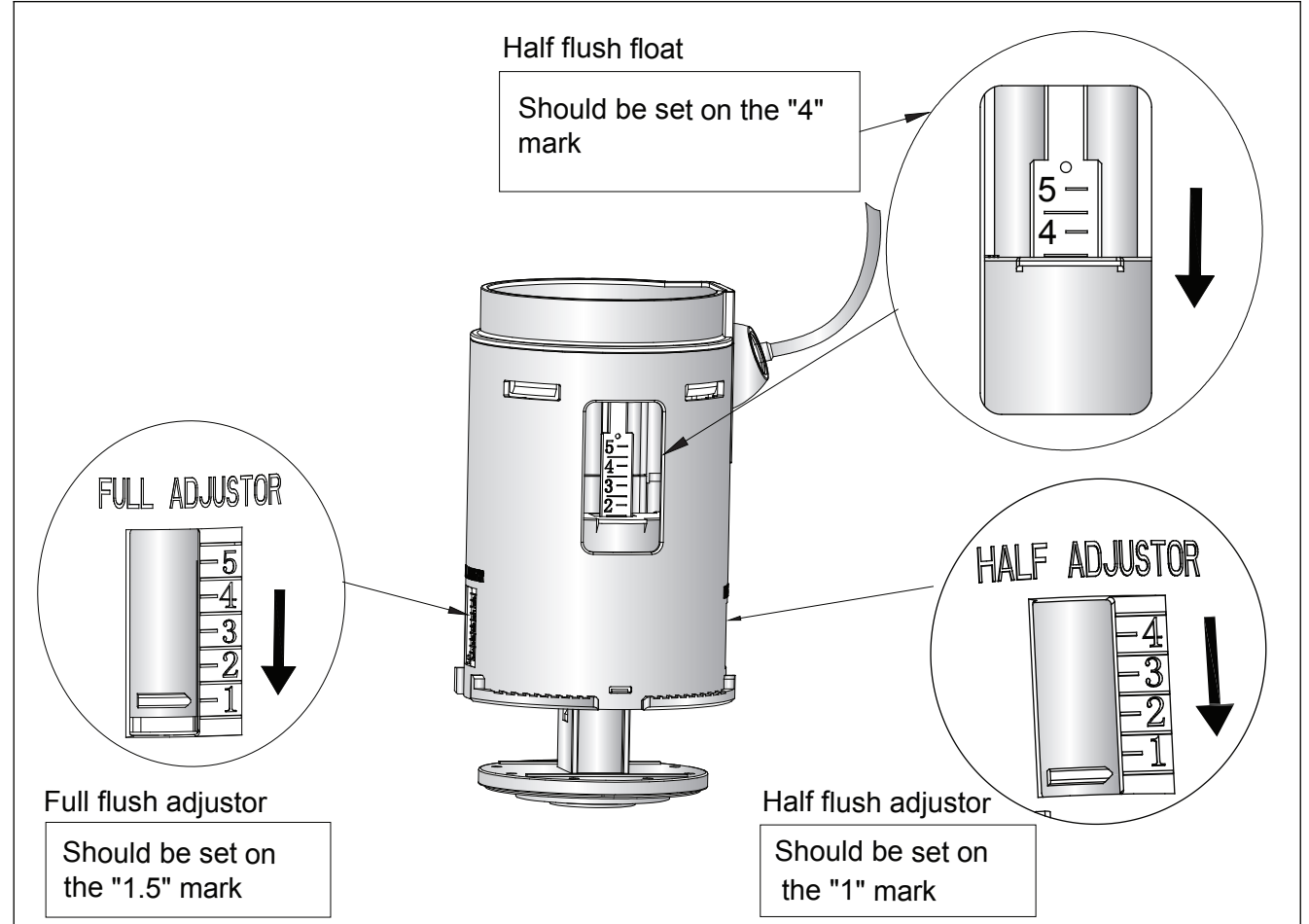
### 1: Inlet Valve



**Note:**

The Inlet Valve should be adjusted to suit the **Aluminium High Level Cistern - T58, T59, T60.** The above diagram indicates the correct setting. For adjustment method, please refer to the installation instruction supplied with the cistern fittings.

### 2: Flush Valve



**Note:**

The Flush Valve should be adjusted to suit the **Aluminium High Level Cistern - T58, T59, T60.** The above diagram indicates the correct setting. For adjustment method, please refer to the installation instruction supplied with the cistern fittings.