

IT IS RECOMMENDED THAT LIGHTS ARE INSTALLED BY A QUALIFIED ELECTRICIAN

1 Before starting the electrical work or connecting your light you will need to switch off your power supply at the fuse box (consumer unit). Either the miniature circuit breaker (MCB) can be turned off for the circuit for your light and applying RED insulating tape over the MCB to prevent it from being accidentally turned on. Or the main switch can be turned off, the circuit fuse removed, and the main switch turned on again to restore power to the rest of the house.

2 Colour code for fixed wiring:

GREEN/YELLOW

- Earth

BROWN

- Live (introduced 2004)

BLUE

- Neutral (introduced 2004)

BLUE with brown sleeving

- Switch wire with sleeving (introduced 2004)



Live (Pre 2004 colour code) RED

Live (Pre 2004 colour code) BLACK



NOTE: Some luminaires may have a clear cable. In this case, the earth wire will be marked with a green/yellow thread.

3 CLASS I Luminaires (Earthed) Fig 1-connect the brown wire from the luminaire to the supply live wire (red or brown). Connect the blue wire to the supply neutral wire (black or blue). Connect the green/yellow wire to the supply earth wire (green/yellow) or connect the supply earth to the luminaire earth terminal marked

4 CLASS II Luminaires (Not Earthed) Fig 2 These luminaires are double insulated and have the symbol: . These fittings do not have to be connected to the supply earth. Make sure that the basic insulation of the supply wiring cannot contact touchable metal. Connect the brown wire from the luminaire to the supply live wire (red or brown). Connect the blue wire to the supply neutral wire (black or blue). Isolate the supply earth wire.

If silicone sleeving is provided, fit over the supply cable up to the terminal block or lamp holder, to at least the mounting surface, to protect cable from heat.

5 Fix the luminaire to mounting surface making sure that no wires are trapped or damaged. Wires must be routed away from hot metal surfaces and not laid onto the back plate.

6 Fit all grommets supplied to protect wiring from and sharp edges. Wiring on long drop chain lanterns and chandeliers must have the wiring passed through every third link of the chain.

Luminaires marked thus: are not suitable for covering with thermal insulation.

Luminaires marked thus: are not suitable for mounting on normally flammable surfaces. (Wood, paper) These are suitable for mounting on non-flammable surfaces e.g. plaster, concrete, and metal.

Luminaires marked thus: are not suitable for mounting in normally flammable surfaces. If not marked with these symbols, the luminaire is suitable for mounting on/in a normally flammable surface.

If there is insufficient space within the luminaire for a terminal block then any connections must be made in the ceiling or wall space within a connection box. If no terminal block is included, installation may require advice from a qualified electrician.

7 Fit the correct wattage and type of lamp (bulb). We recommend you turn off the power before removing the lamp. Take care not to touch halogen lamps with bare fingers. If you do, clean lamp with alcohol and allow to dry. TAKE CARE WHEN CHANGING LAMPS, PARTICULARLY HALOGEN, AS THESE GET VERY HOT IN OPERATION AND SHOULD BE ALLOWED TO COOL BEFORE TOUCHING AND REMOVING. Safety shields, where supplied, MUST be used. Where luminaires are supplied with lamps these must be used or replaced with a reputable branded lamp.

8 Where applicable, fix glass securely to the luminaire. If screws are used to secure the glass, ensure that the glass is not stressed by over-tight screws. The screws should be finger tight. Be aware of sharp edges when handling glass and light fitting internals. Use the protective pads between glass and frame where supplied.

9 Re-connect the electricity supply and switch on. Enjoy your new luminaire.

10 Luminaires marked with this symbol must not be disposed as domestic waste. Your retailer or Civic Amenity Site will advise.

NOTES Plastered, painted or papered surfaces must be completely dry before installation to avoid the possibility of damage or discolouration to the luminaire. If there is any doubt that the surface may be damp, we recommend that a thin film of polythene is placed between the luminaire and mounting surface. This film can be removed when the surface is completely dry. Clean by using a soft, dry cloth. Do not use abrasives or metal polish. Luminaires with mains tungsten lamps are suitable for dimming. Some luminaires with low energy or low voltage lamps are not suitable. If in doubt, contact your lighting supplier. Some low voltage luminaires with toroidal (doughnut-shaped) transformers can cause the lighting circuit breaker to trip if it is too sensitive. If this happens, the MCB may need to be updated with a type 'C' MCB - Check with your electrician. This is NOT a fault with the light fitting. If the luminaire uses G9 mains halogen lamps, for safety, replace only with a reputable branded lamp. Luminaires with external flexible cables, if damaged, shall be replaced by a qualified person to avoid a hazard. Any alterations to the luminaire or internal wiring will void the manufacturers' warranty. Do not mix switch start ballasts and High Frequency electronic ballasts on the same circuit. Improper selection, or improper use of the products and / or systems referred to and described herein or related items can cause personal injury or property damage. Burlington does not assume responsibility and disclaims liability for damage, loss, or expense arising from improper use, operation, or installation of this product.

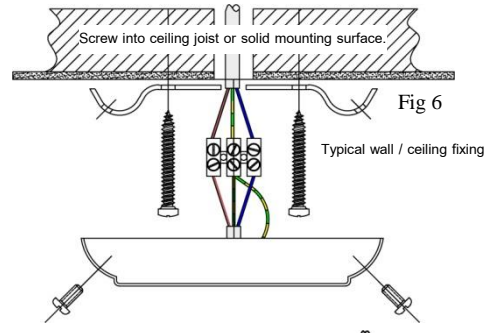
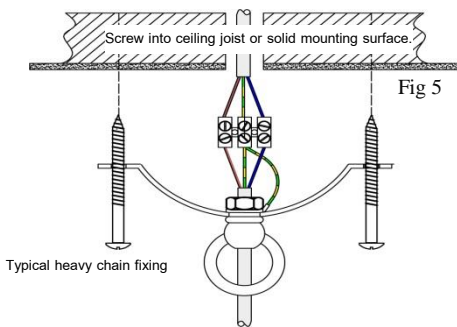
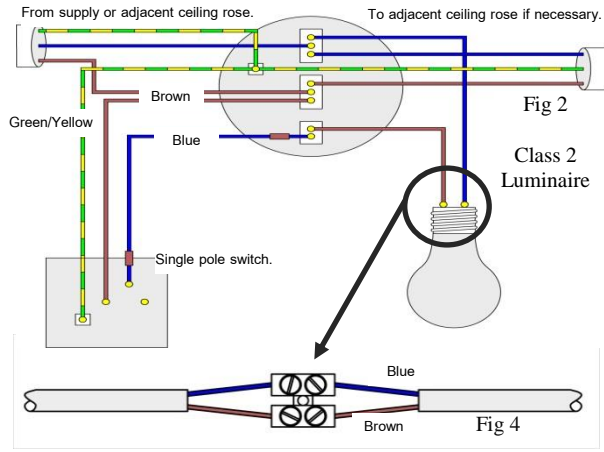
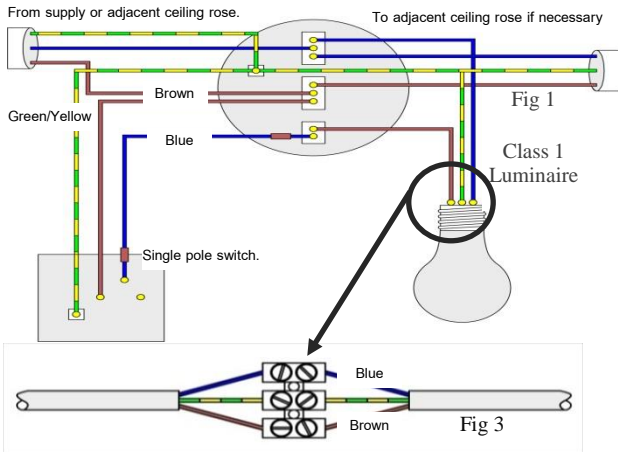
Lamp wattage equivalents

Energy saver lamps / CFL lamps / GU10LE lamps approximate comparison to incandescent lamps

5 - 6W = 25W, 7 - 8 W = 40W, 9W = 45W, 11 - 13W = 60W, 15-16W = 75W, 18 - 21W = 100W, 35 - 42W = 150W.

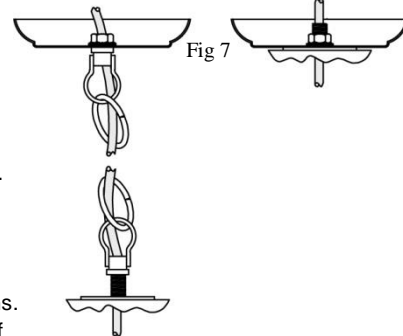
Halogen lamps approximate comparison to incandescent lamps. 28W = 40W, 42W = 60W, 53W = 75W, 70W = 100W.

IT IS RECOMMENDED THAT LIGHTS ARE INSTALLED BY A QUALIFIED ELECTRICIAN



11 Conversion from chain to flush fitting. Selected Models Only Fig 7

Unloop cable from chain. Unscrew chain and ring from top of light.
 Remove threaded tube, nut, star washer and ring from ceiling pan.
 Shorten cable to a minimum of 200mm protruding from light fitting.
 Push threaded tube on top of light through hole in bottom of ceiling pan.
 Secure serrated washer, earth wire terminal and nut over threaded tube and tighten.



12 Guide to Bathroom Lighting Zones Figs 8 & 9

Electrical work in bathrooms must be carried out by a qualified electrician.

Full details of regulations can be found in the latest copy of the IEE wiring regulations. Bathrooms are divided into Zones. These Zones are determined by the closeness of water and humidity and the likelihood of the light fitting getting wet. Bathroom light fittings are given an IP rating, which relates to these zones. The first digit of an IP rating describes its protection from solid objects such as gravel, insects and other dust. The second digit relates to its protection from moisture, which is directly relevant to the bathroom. The higher the number, the more protection it has.

- Bathroom Zone 1 Perimeter of bathtub / shower tray to a height of 2.25m above the floor IPX4. Use IPX5 where water jets are used for cleaning purposes (eg a shower in Zone 1).
- Bathroom Zone 2-Perimeter 0.6m wide around zone 1 - IPX4. Use IPX5 where water jets are used for cleaning purposes (eg shower in zone 1 which could spray fittings in zone 2).
- Outside Zone There are no IP requirements for lighting outside zones 1 and 2. However lights should be suitable for their location and provide adequate protection against electric shock.

